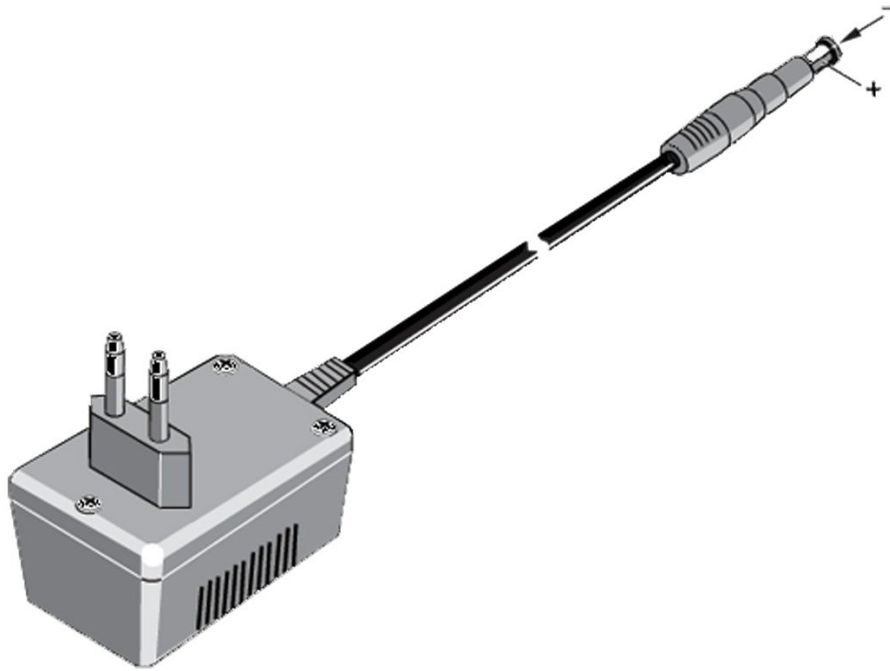


TECHNICAL DATA

Fluke PM8907 Line Voltage Adapter/Battery Charger



Key features

808 is equipped with a male receptacle plug that must be connected to a line cord appropriate for local use. (Line cord not included) A North American line plug adapter is included.

Product overview: Fluke PM8907 Line Voltage Adapter/Battery Charger

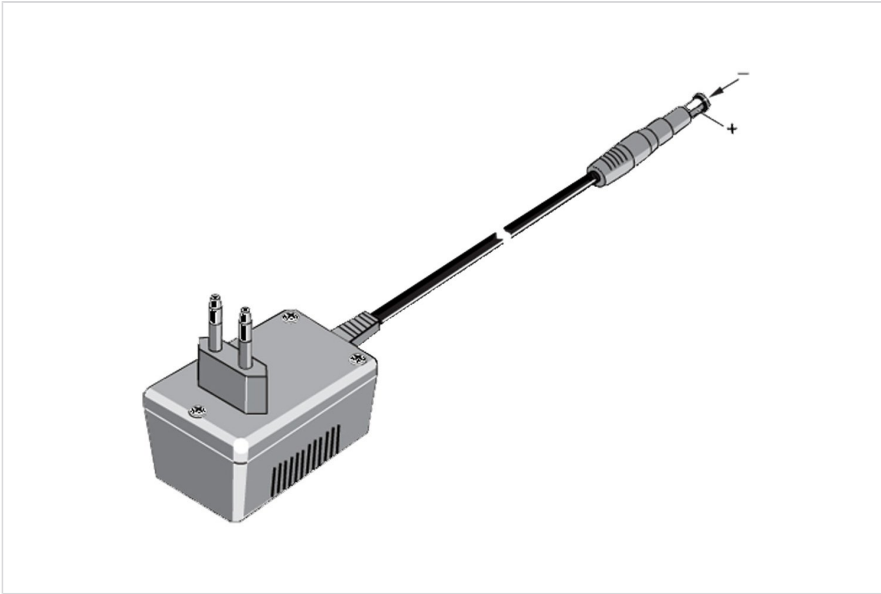
Provides power cord operation and charging for ScopeMeter 90 and 120 series as well as for the Fluke 43 and 43B Power Quality Analyzer and some accessories.

Specifications: Fluke PM8907 Line Voltage Adapter/Battery Charger

Specifications	
	801 (Europe) 230 V ± 10%
	803 (North America) 120 V ± 100%
	804 (United Kingdom) 240 V ± 10%

Frequency (all versions)	50 to 60 Hz \pm 10%
Output Voltage	15 V
Output Current	300 mA max
Output Plug	5 mm power jack per DIN 45323
Power Consumption	10 V A
Max. Voltage to Ground	600 Vrms CAT III per IEC 61010-31

Ordering information



PM8907/830

- Replacement Power Adapter Universal L6

Fluke. *Keeping your world up and running.®*

Fluke Europe B.V.

P.O. Box 1186
5602 BD Eindhoven
The Netherlands
www.fluke.com/en

©2025 Fluke Corporation. All rights reserved.
Data subject to alteration without notice.
04/2025

For more information call:

In Middle East/Africa
+31 (0)40 267 5100

**Modification of this document is not permitted
without written permission from Fluke
Corporation.**