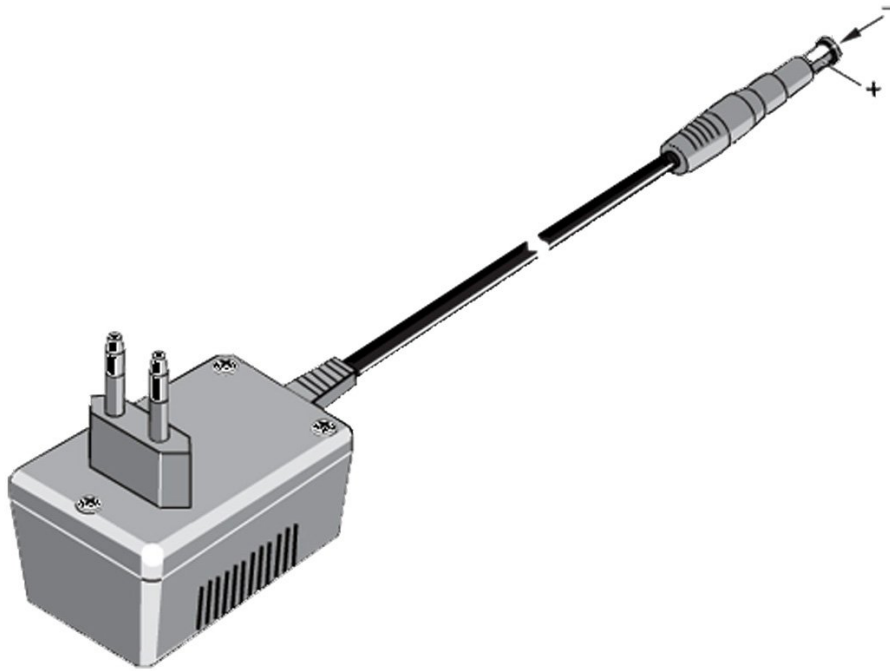


TECHNICAL DATA

Fluke PM8907 Line Voltage Adapter/Battery Charger



Key features

808 is equipped with a male receptacle plug that must be connected to a line cord appropriate for local use. (Line cord not included) A North American line plug adapter is included.

Product overview: Fluke PM8907 Line Voltage Adapter/Battery Charger

Provides power cord operation and charging for ScopeMeter 90 and 120 series as well as for the Fluke 43 and 43B Power Quality Analyzer and some accessories.

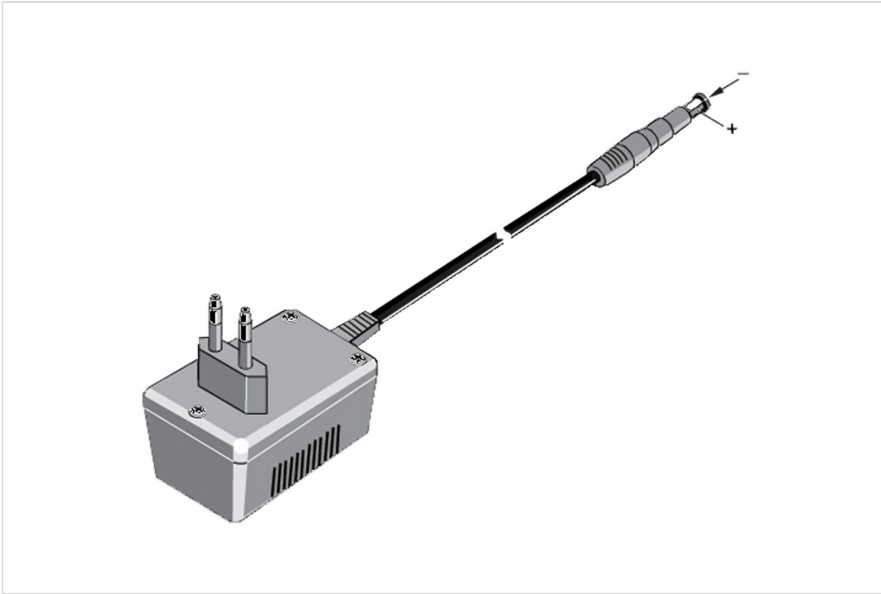
Specifications: Fluke PM8907 Line Voltage Adapter/Battery Charger

| Specifications | |
|----------------|----------------------------------|
| | 801 (Europe) 230 V ± 10% |
| | 803 (North America) 120 V ± 100% |
| | 804 (United Kingdom) 240 V ± 10% |



| | |
|--------------------------|-----------------------------------|
| Frequency (all versions) | 50 to 60 Hz \pm 10% |
| Output Voltage | 15 V |
| Output Current | 300 mA max |
| Output Plug | 5 mm power jack per DIN 45323 |
| Power Consumption | 10 V A |
| Max. Voltage to Ground | 600 Vrms CAT III per IEC 61010-31 |

Ordering information



PM8907/830

- Replacement Power Adapter Universal L6

Fluke. *Keeping your world up and running.®*

Fluke Corporation

PO Box 9090, Everett, WA 98206 U.S.A.

For more information call:

In the U.S.A. (800) 443-5853

In Canada (800) 36-FLUKE

From other countries +1 (425) 446-5500

www.fluke.com

©2025 Fluke Corporation.

Specifications subject to change without notice.

04/2025

**Modification of this document is not permitted
without written permission from Fluke
Corporation.**